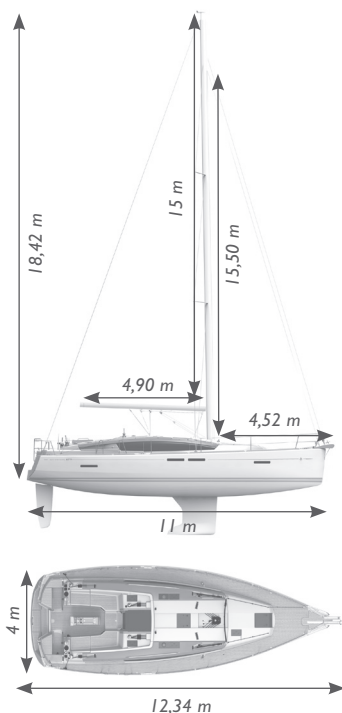


SUN ODYSSEY DS

Sun Odyssey 41 DS



Sun Odyssey 44 DS



Certification conform with CE regulation.

	SO 41 DS	SO 44 DS
SPECIFICATIONS		
Overall length	12,34 m	13,34 m
Hull length	11,99 m	12,99 m
Waterline length	11,00 m	12,00 m
Beam	3,99 m	4,24 m
Displacement	8770 kg	9750 kg
Standard keel draft cast iron fin keel	2,10 m	2,20 m
Shoal draft cast iron fin keel	1,55 m	1,60 m
Engine	Yanmar 40 HP/29 Kw	Yanmar 54 HP/40 Kw
Cabins	2	2/3
Berths	4 (+2)	4/6 (+2)
Fuel	200 L	200 L
Water	330 L	330 L
Fridge compartment	185 L	185 L
CE category	A7/B8/C10	A8/B10/C12
Architects	F. Darnet / P. Briand / Jeanneau Design / Flahault Design	F. Darnet / P. Briand / Jeanneau Design / Flahault Design
SAILS		
Standard - Furling mast		
Furling mainsail high-tenacity Dacron cloth, Sunbrella® UV luff protection	SO41DS 33,8 m ²	SO44DS 40 m ²
Furling genoa 106% high-tenacity Dacron cloth, Sunbrella® UV luff protection	32,4 m ²	41,5 m ²
Additional options		
Self-tacking jib tri-radial construction in Mylar/taffeta X-Grid grey, Sunbrella® UV luff protection, includes track mounted forward of the mast	SO41DS 28,2 m ²	SO44DS 35,3 m ²
Code 0 tri-radial construction in Mylar/Aramid X-Grid grey, continuous line furling (requires asymmetrical spinnaker gear option)	70 m ²	76,4 m ²
Asymmetrical spinnaker optimal size for the boat (sail not available)	109 m ²	133 m ²
Upgraded sails for furling mast		
Furling mainsail tri-radial construction in Mylar/taffeta X-Grid grey	SO41DS 33,8 m ²	SO44DS 40 m ²
Furling genoa 106% tri-radial construction in Mylar/taffeta X-Grid grey, Sunbrella® UV luff protection	32,4 m ²	41,5 m ²
Classic mast		
Mainsail full-batten , tri-radial construction in Mylar/taffeta X-Grid grey, 2 automatic reefs, Lazy bag and jacks	SO41DS 42,2 m ²	SO44DS 48,3 m ²
Furling genoa 106% tri-radial construction in Mylar/taffeta X-Grid grey, Sunbrella® UV luff protection	32,4 m ²	41,5 m ²

■ Standard □ Option - Not available

	SO 41 DS	SO 44 DS
MAST & RIGGING		
Furling mast aluminium with double spreaders, deck-stepped	■	■
Standing rigging discontinuous 1x19stainless steel wire	■	■
Backstay double	■	■
Furling genoa with twin groove and furling line led to cockpit	■	■
Running rigging boom topping lift, main halyard, jib halyard, main sheet, jib sheets in polyester	■	■
Genoa winches 2 x Harken 46.2 self-tailing	■	■
Harken "rewind" genoa winches 2 x 46.2 winch that can sheet in and out electrically	□	□
Coachroof winch to port Harken 40.2 self-tailing	■	■
Coachroof winch to starboard Harken 40.2 self-tailing	□	□
Electric coachroof winch 1 x harken 40.2 self-tailing in place of standard winch to port	□	PREFERENCE
Genoa tracks with adjustable cars	■	■
Winch handles 2 x Harken	■	■
Line stoppers Spinlock on coachroof and forward of each primary winch for main and jib sheets	■	■
Asymmetrical spinnaker gear halyard, 2 sheets, tack line, harken blocks	□	□
COCKPIT		
Wood battens on bench seats and transom steps	■	■
Wood cockpit floor inlay	□	□
Wood side decks hand-laid wooden side decks	□	□
Cockpit lockers 2 lockers under bench seats and 1 deep locker under helm seat	■	■
Well for sliding companionway hatch provides storage for halyards	■	■
Cockpit table with folding leaves, icebox, removable lamp and space for GPS mount	■	■
Solid wood cockpit table with all the same functions of the standard table, but with wooden leaves	□	□
Open aft transom with telescopic ladder and locker for snorkelling items	■	■
Gas locker for 2 bottles	■	■
Steering wheels leather-wrapped x 2, compass and grabrail at each helm	■	■
Steering wheel covers Sunbrella® Taupe with zips for easy removal	□	□
Cockpit table cover Sunbrella® Taupe (with or without GPS)	□	□
Emergency tiller and fitting in the cockpit floor	■	■
Engine control: throttle lever and engine panel installed at starboard helm station	■	■
Cockpit cushions Sunbrella® Sling Taupe with backrests and attachment clips	□	□
Cockpit bimini Sunbrella® Taupe with stainless steel bows and 2 removable LED lamps, retractable with storage cover	□	□
Cockpit sprayhood wide Sunbrella® Taupe with vinyl windscreen with zip-out middle window for ventilation, retractable	□	□
DECK EQUIPMENT		
Bow pulpit open, stainless steel	■	■
Stern pulpits stainless steel with flag holder and buoy bracket	■	■
Outboard engine bracket mounted on stern pulpit	□	□
Electric windlass Quick 1000W combination rope and chain, vertical-mounted in the anchor locker, hand-held remote, manual handle	PREMIERE	■
Windlass control second windlass control mounted in cockpit with chain counter for easy, short-handed anchoring	□	□
Anchor roller stainless steel	■	■
Double anchor roller , stainless steel fitting with tack point reinforcement	PREMIERE	PREMIERE
Bow platform with telescopic, stainless steel access ladder	□	□
Aft windlass with folding anchor roller , 10 kg Delta anchor and 50 meters of line	□	□
Anchoring kit Delta anchor 20kg with 32 meters of 10mm chain and 45 meters of 18mm line	□	□
Lifelines double level of stainless steel lifelines, stainless steel stanchions	■	■
Lifeline gates opening gates on each side	PREFERENCE	PREFERENCE
Toe rail	■	■
Wood rubrail for hull protection	□	□
Cleats 4 x aluminium mooring cleats	■	■
Midship cleats 2 x aluminium cleats placed on side deck	PREMIERE	PREMIERE
Mooring kit fenders and docklines	□	□
Handrails in stainless steel along coachroof	■	■
Anchor locker	■	■
TECHNICAL		
CONSTRUCTION		
Deck Prisma Process® injected deck, ISO gelcoats	■	■
Hull solid , hand-laid fibreglass, ISO gelcoats, protective barrier coat	■	■
Structure inner fibreglass grid, high-load zones cut out, drainage system through structure, special emergency repair zone in keel area	■	■

■ Standard □ Option - Not available

	SO 41 DS	SO 44 DS
LIGHTING		
LED navigation lights and anchor light	PREMIERE	PREMIERE
Flush-mounted chromed brass LED ceiling lights in saloon, head compartments and cabins	■	■
Leather-wrapped LED reading lights in forward cabin and aft cabin(s)	■	■
Lamps on night tables to either side of aft berth	■	■
Task lighting in the galley and head compartments	■	■
Gooseneck LED chart light white/red mounted at nav station	■	■
ELECTRICAL		
12v alternator output	125 A	125 A
Charge distributor/isolator	■	■
Engine start battery capacity 12v	110 Ah	110 Ah
Capacité du parc domestique 12v	230 Ah	230 Ah
2 x extra 115 Ah domestic batteries	PREMIERE	PREMIERE
Positive battery switch for engine and domestic bank and general cut-off switch	■	■
Electrical panel with 12v breakers, 220v breakers, 12v voltmeter	■	■
Shorepower 220 v inlet with differential breaker, one 220v plug per cabin, 220v plug in galley, saloon and nav station	PREMIERE	■
60A battery charger, multi-phase	PREMIERE	PREMIERE
Inverter 2000W 12v/220v	□	□
12v plug per cabin and at nav station	■	■
220v stainless steel microwave, installed in galley cabinet	□	□
Generator 4kw ONAN 220v located in transom, power selector switch and generator panel located at nav station, exhaust separator with below waterline discharge for silent operation	-	□
PLUMBING		
Hot and cold pressurised water distributed through-out the boat via semi-rigid hose	■	■
"Heavy-duty" water pump and accumulator tank	■	■
40 litre hot water tank that is connected to engine heat exchanger and to 220v	■	■
Chromed shower faucets in washrooms	■	■
Electric bilge pump on float switch and manual dual-action pump in the cockpit	■	■
Extra fresh water tank 200L located under aft starboard berth	□	□
Digital water level display	■	■
Shower sumps equipped with individual electric pumps and on-off switches	■	■
Hot and cold water shower at the transom	PREMIERE	■
Large manual pump marine toilets	■	■
Electric Quiet-Flush toilets in place of standard, available for each head compartment	□	□
80L holding tank in aft head with deck fitting and gravity overboard discharge	■	■
80 litres holding tank with gravity drain and deck fitting for forward starboard head	□	□
ENGINE		
Yanmar (3JH5-CE) 40 HP , 29Kw Sail Drive	■	-
Yanmar (4JH5-CE) 54 HP , 40Kw Sail Drive	-	■
Fully soundproofed engine compartment with engine access behind stairwell and from aft cabin	■	■
Fuel/water separator	■	■
Built-in muffler, forced air ventilation and stainless steel exhaust fitting aft	■	■
Fixed 3-blade propeller	■	■
Folding propeller, 3-blade, Flex-o-Fold	□	□
Bow thruster installed in a tunnel with dedicated batteries	□	□
Fibreglass rudder	■	■
C O M F O R T		
Fixed hull ports with shades (4 in the saloon and 2 in the aft cabin and 2 in the forward cabin)	8	8
Opening cockpit and transom ports (all 3 in the aft cabin)	3	3
Lateral fixed windows	6	6
Opening deck hatches	7	11
Vertical-sliding companionway hatch	■	■
Combination shade/insect screens for deck hatches	PREMIERE	PREMIERE
Additional 12v fridge 65L installed under navigation desk	□	□
Wine cabinet 220v installed under navigation desk	□	□
CD/MP3 player FUSION	PREFERENCE	PREMIERE
BOSE® 2.1 speaker system ACCOUSTIMASS 3, speakers with base unit in saloon	PREFERENCE	PREMIERE
Cockpit speakers x 2, watertight	PREFERENCE	PREMIERE
Pre-installation for TV in saloon	□	□
Amplified antenna for TV for masthead mounting	□	□
Air Conditioning 220v 24000 BTU 2 units installed under saloon seating and in stern, vents in saloon, head compartments and forward and aft cabins control panel and thermostat	□	□
Forced air heating 1 unit 5500 BTU Webasto® diesel heater installed in stern, vents in aft cabin, saloon and head compartments	□	□

■ Standard □ Option - Not available

	SO 41 DS		SO 44 DS	
	2C/2H		2C/2H	3C/2H
INTERIOR				
WOOD				
Fine Teak® interior laminated panels with solid wood trim around galley, companionway and cabinetry, finished in satin UV stabilised varnish	■		■	■
Laminate floorboards with in light oak finish and dark stripes	■		■	■
FORWARD CABIN				
Forward guest suite with large double berth	■		■	-
Large hanging locker	-		■	-
Deep cabinet with shelves	-		■	-
Hanging locker	■		-	■
Desk/vanity with storage	-		■	-
White vinyl lining on hull with lateral wood shelf	■		■	■
Full-length mirror	-		■	-
Stainless steel handrail	■		■	■
Large, private head compartment with shower, moulded sink, mirror, toilet tissue holder, storage compartments above sink and electric shower pump	■		■	■
Separate shower compartment with shower column	-		■	■
Plexiglass folding door for separate shower compartment	-		PREMIERE	PREMIERE
Island-bed type double berth 2.12 x 1.70 x 0.80m	-		■	-
Double berth 2.08 x 1.97 x 0.70m	-		-	■
Double berth 2.04 x 2.00 x 0.80m	■		-	-
Ajustable headrest for reading in bed	PREMIERE		-	-
Two single, upper and lower bunks (upper berth 2.00 x 0.66cm, lower berth 2.00 x 0.63m) with hanging locker and shelf	-		-	■
AFT CABIN				
Aft owners suite	■		■	■
Double berth with high-density foam mattress 1.97 x 1,90 x 1.19m	■		■	■
Large hanging locker	■		■	■
Storage locker with shelves	■		■	■
Vinyl hull lining on hull with opening cabinets along hull with stainless steel fiddles	■		■	■
Night tables covered in leatherette	■		■	■
Leatherette headboard	■		■	■
Seats to each side of the bed	■		■	■
Shelf and storage cabinet over engine compartment	■		■	■
Large head with dedicated space for separate shower, moulded sink, mirror, toilet tissue holder, shower column, storage compartments above sink and electric shower pump	■		■	■
Plexiglass folding door for separate shower compartment	PREMIERE		PREMIERE	PREMIERE
CHART TABLE				
Main electrical panel	■		■	■
Chart table with storage, space for a laptop computer, chart storage, stainless steel fiddles, white-lacquered cabinet, space to stow optional saloon stool, large bar cabinet that can also house other optional equipment	■		■	■
SALOON				
U-shaped saloon to starboard with plush seating and storage underneath	■		■	■
Saloon table with 2 removable legs	■		■	■
Luxury folding table mounted on adjustable height pedestal, electrically controlled. Table top can be rotated and folding to increase table surface area	PREFERENCE		PREFERENCE	PREFERENCE
Saloon berth conversion kit including cushion for table top	□		□	□
1 stool for saloon or forward cabin desk	□		□	□
Upper storage cabinets with stainless steel fiddles	■		■	■
Sofa lounge to port with plush cushions and upper storage cabinets with stainless steel fiddles	■		■	■
Storage under sofa lounge	■		■	■
Handholds under the windows and on the ceiling	■		■	■
Vinyl hull lining on hull	■		■	■
Companionway with plexiglass door and wooden steps	■		■	■
GALLEY				
L Galley located to starboard with opening and sliding sink cover	■		■	■
Moulded double sink with chrome faucet with spray nozzle and storage cabinets, drawers with soft-return system, special storage drawer for spices, bottles and dish clothes, waste bin	■		■	■
2-burner stove with oven and stainless steel protection rail	■		■	■
Luxury 2-burner stove with black finish, wood handle, stainless steel oven/broiler	PREMIERE		PREMIERE	PREMIERE
185L fridge compartment with storage baskets and top access, 12v compressor	■		■	■
White-lacquered upper storage cabinets with fiddles	■		■	■
Vertical fridge door	PREFERENCE		PREFERENCE	PREFERENCE
HEADROOM				
Forward cabin	1,81 / 1,90 m		1,86 / 1,95 m	
Aft cabin	1,81 m		1,86 m	
Companionway	1,95 m		2,00 m	
Saloon	1,83 / 1,94 m		1,88 / 1,98 m	
Galley	1,92 m		1,99 m	

■ Standard □ Option - Not available C = Cabins H = Head



JEANNEAU

